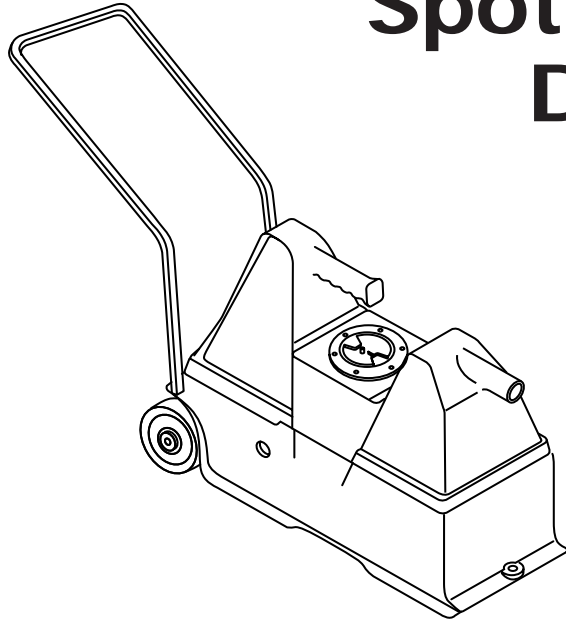


CLEANMASTER

100-610-010 SpotMaster Duo



INFORMATION & OPERATING INSTRUCTIONS



CAUTION: DO NOT OPERATE MACHINE UNTIL YOU HAVE READ ALL SECTIONS OF THIS INSTRUCTION MANUAL

IMPROPER USE OF THE MACHINE WILL VOID THE WARRANTY

1. Always use a defoamer when foaming occurs to prevent vacuum motor damage.
2. Connect the machine to a properly grounded outlet.
3. Keep machine from rain, snow, and extremes in temperatures. Store the machine in a heated location.
4. Use approved chemicals only. NO SOLVENTS.
5. Wear gloves or use rags when removing quick disconnects to prevent burns.
6. Never use water above 130° F/54° C in the solution tank.
7. Never let the pump run while it is dry.
8. Use the machine indoors. Do not use outdoors.
9. Use the machine to clean small areas - do not attempt to clean room size carpets.

IMPORTANT SAFETY INSTRUCTIONS

This machine is only suitable for commercial use, for example in hotels, schools, hospitals, factories, shops, and offices. This machine is not intended for normal residential housekeeping purposes.

NOTE: Read all instructions before using this machine.

When using any electrical appliance, basic precautions should always be followed, including the following warnings and cautions:

WARNING!

To reduce the risk of fire, electric shock, or injury:

- Do not leave the machine unattended when it is plugged in. Unplug the unit from the outlet when not in use and before servicing.
- To avoid electric shock, do not expose to rain or snow. Use and store indoors.
- Do not allow to be used as a toy. Close attention is necessary when used near children.
- Use only as described in this manual. Use only the manufacturer's recommended attachments.
- Never add water over 130° F/54° C to the solution tank.
- Do not use with damaged cord or plug. If the machine is not working as it should, has been dropped, damaged, left outdoors or dropped into water, return it to a service center.
- Do not pull by the cord, use the cord as a handle, close a door on the cord, or pull the cord around sharp edges or corners. Do not run the machine over the cord. Keep the cord away from heated surfaces. To unplug, grasp the plug, not the cord.
- Do not handle the plug, the cord, or the machine with wet hands.
- Extension cords must be 12/3 and no longer than 50 feet. Replace the cord or unplug immediately if the ground prong becomes damaged.
- Do not put any object into openings. Do not use with any opening blocked; keep free of dust, lint, hair, and anything that may reduce air flow.
- Keep loose clothing, hair, fingers, and all parts of body away from openings and moving parts.
- Do not pick up anything that is burning or smoking, such as cigarettes, matches, hot ashes, or any health endangering dusts. Do not use to pick up flammable or combustible liquids such as gasoline or use in areas where these liquids may be present.
- Turn off all controls before unplugging.

CAUTION

- Use extra care when cleaning on stairs.
- Connect to a properly grounded outlet only.
- Use a defoamer at the first sign of foam, to prevent damage.
- Use the SpotMaster Duo to clean small areas. Do not attempt to clean room size carpets.
- Liquid ejected at the spray nozzle could be dangerous as a result of its temperature, pressure, or

INSPECTION:

Carefully unpack and inspect the SpotMaster Duo for shipping damage. Each unit is tested and inspected before shipment. Any damage incurred during shipping is the responsibility of the carrier, whom you should notify immediately.

CLEANING SOLUTIONS:

Use only approved chemicals. Liquid cleaning detergents are recommended. Powdered chemicals may be used, but unless mixed thoroughly, they may cause a build-up in the pump, the lines, the quick couplers, etc. Regular use of strong acid concentration, as in citrus based cleaners, or strong detergent preparations, can damage the pump seals and/or other fittings, and are expressly warned against. A pH of between 7 and 10 is recommended. Damage caused by either strong acid or strong detergent will void the warranty.

MAINTENANCE:

Before each job, inspect the filters and gaskets to make sure they are clean and ready for use. The pump and vacuum do not require any maintenance. Clean the body with an all purpose detergent, and protect it with a common auto interior protectant. Lubricate the wheels and latches as needed.

NOTE: this machine is suitable for commercial use, for example in hotels, schools, hospitals, factories, shops, and offices, other than normal residential housekeeping purposes.

Record important information about your SpotMaster Duo.

Serial Number: _____

Purchase Date: _____

Name and phone number of the distributor from whom you purchased your machine. _____

FEATURES:

Solution Tanks:

The SpotMaster Duo has the unique design feature of having two 1-gallon solution tanks. This allows you to have cleaning solution in one tank and clean water for rinsing in the other tank. Simply turn the valve on the machine to switch from one tank to the other. There is no need to empty your detergent tank, clean it, and refill it with water for the rinse cycle.

Vacuum Tank:

The vacuum tank holds more liquid than the total of both the holding tanks, so you can easily clean an area and rinse it without the need to empty your recovery tank. When you refill your holding tanks, simply remove the vacuum hose from the recovery tank and dump the water out through the vacuum inlet spout.

CAUTION

To prevent damage to the vacuum motor, do not let the water level in the recovery tank exceed 3/4 full. When moving the machine with water in any of the tanks, do not tip the machine past a 30 degree angle to avoid spilling water into the vacuum chamber and to avoid damaging the motor.

SET-UP:

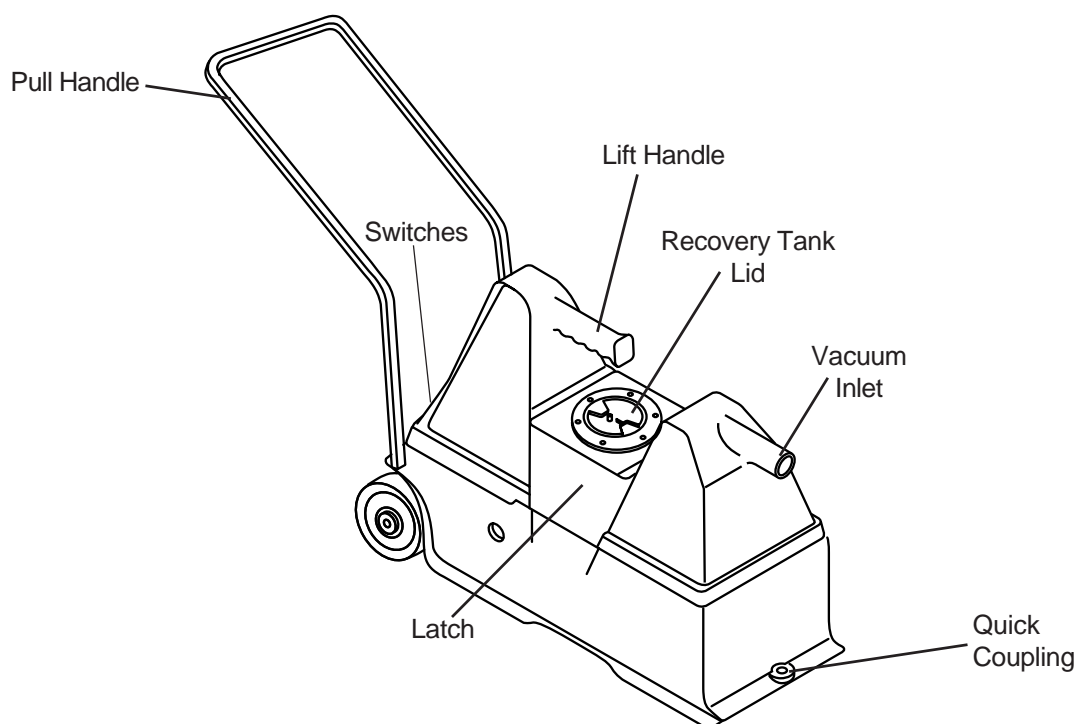
1. Open the latches and remove the recovery tank from the machine.
2. Fill the solution tanks -- in one tank add your diluted cleaning chemical and fill the second tank with clean water.
3. Place the recovery tank back onto the base, and secure the latches. Make sure the screw-in access lid is in place, and tight.
4. Attach the vacuum hose to the vacuum inlet on the recovery tank.
5. Connect the solution line to the quick coupling on the rear of the SpotMaster base.
6. Attach the cleaning tool to the 10' Vacuum Hose & Solution Hose Assembly.
7. Turn the knob on the 3-way switch to the desired tank.
8. Turn the rocker switch on. This will start both the pump and the vacuum.
9. Press the lever on the tool to begin spraying.

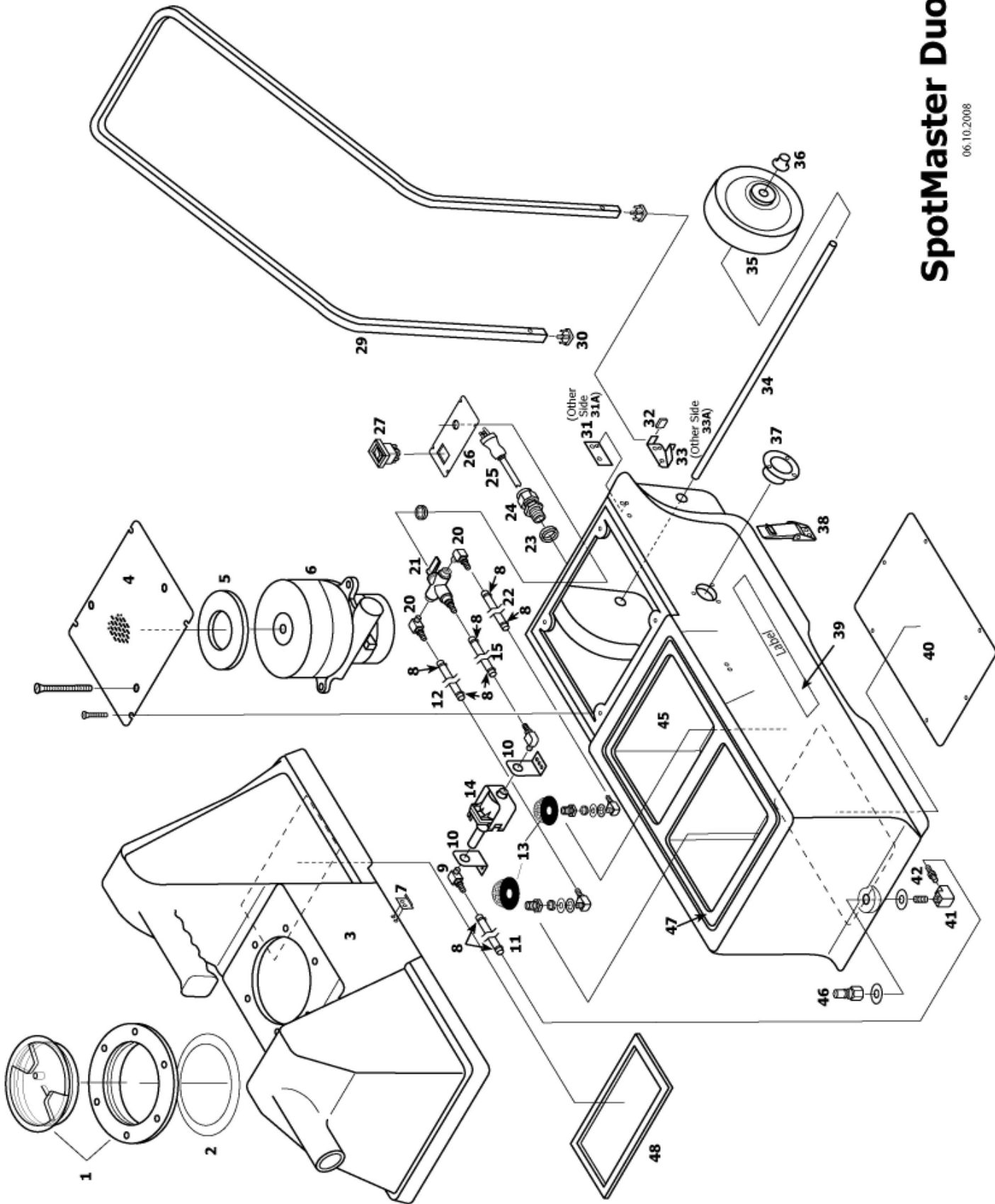
NOTE: Initially it may take a few seconds for the solution to reach the spray tip. The tool will automatically suck up the sprayed solution as the tool passes over the wet area.

NOTE: When switching from one tank to the other tank, it may take a few seconds of spraying for the solution in the selected tank to reach the spray tip.

CLEAN-UP:

1. When finished with the job, disconnect the hoses from the SpotMaster, remove, empty, and rinse the recovery tank, then dump the water out of the water tanks and clean them.





SpotMaster Duo

06.10.2008

SpotMaster Duo

Part List

<u>ITEM</u>	<u>PART No</u>	<u>DESCRIPTION</u>	<u>ITEM</u>	<u>PART No</u>	<u>DESCRIPTION</u>
1	983	Lid, with ring, 4"	26	987	Switch plate
2	1074B	Gasket, for lid	27	FP	Switch, rocker, OFF/ON
3	VT-	Vaccum Tank	29	991	Handle
4	994	Plate, vacuum motor mounting	30	389	Plug, square, plastic
5	2013	Gasket, Vacuum motor	31	992	Bracket, handle mount, inside
6	FP324	Vacuum motor, with gasket	31A	993	Bracket, handle mount, inside
7	909A	Strike, latch	32	997	Cover, for handle stop, plastic
8	385	Clamp, hose	33	992	Bracket & stop, handle, outside
9	90	Elbow, brass	33A	993	Bracket & stop, handle, outside
10	990	Bracket, pump mouting	34	910-11.25	Axle rod, 11.25"
11	996	Hose, 1/4" ID X 16", braided	35	2035A	Wheel, 5"
12	996	Hose, 1/4" ID X 26", braided	36	27A	Axle Cap
13	999	Filter, 40 mesh, pump inlet	37	440	Exhaust flange
14	989	Pump. solution	38	908	Latch
15	996	Hose, 1/4"ID X 10.5", braided	39		Label
16	990	Bracket, pump mounting	40	980	Cover, bottom
19	990	Hose, 1/4" X 22", braided	41	90	Elbow, brass
20	90	Elbow, brass	42		Quick disconnect
21	988	Valve, 3-Way, with nut	45	HT	Base, with two tanks
22	996	Hose, 1/4" ID X 22" braided	46	374	Quick Disconnect
23	230A	Washer, plastic	47	981	Gasket, on top of base
24	230	Retainer, power cord, water tight	48	498	Gasket, under Vac tank
25	984	Power cord			

SpotMaster Duo

120V

SPECIFICATIONS:

Solution Tank:	1 gallon
Rinse Tank:	1 gallon
Recovery Tank:	2.5 gallons
Pump:	55 PSI
Tangential Vacuum:	90-inch lift/97 CFM
Power Cable:	25-foot length 18/3 w/hospital grade plug
Hand Tool:	3.5-inch stainless steel/clear resin
Transport:	5-inch wheels w/folding handle
Weight:	29 lbs.
Dimensions:	25" L x 10.5" W x 19" H
Warranty:	2-year, limited
Optional Equipment:	Lightweight floor wand

SpotMaster Duo

120V

NOTES:

CLEANMASTER

11015 47TH Avenue West
Mukilteo, WA 98275
www.cleanmaster.com

PH. 1-425-775-7276

FAX: 1-800-426-4225